

ALL IN ONE BI-FACIAL LED SOLAR STREET LIGHT

CONTENT

- 01 Integrated structure Design
- 02 Product Advantages
- 03 Featured Technologies
- 04 Working Modes
- 05 Light Distributions
- 06 Dimensions
- 07 Parameters



ALL IN ONE BI-FACIAL LED SOLAR STREET LIGHT

01 INTEGRATED STRUCTURE DESIGN



ALL IN ONE BI-FACIAL LED SOLAR STREET LIGHT

02 PRODUCT ADVANTAGES



High efficiency LED chips batwing lens with professional light distribution

Modular design, longer heat dissipation small light attenuation and long service life-angle adjustable.

Indicator lights of battery displays lamp power level. Built-in motion sensor function power saving, longer lighting time supports up to 5 rainy days.

Bifacial solar panel efficiency increased 20%

Anti-corrosion aluminum shell

Modular design easily replace battery

Angle adjustable

ALL IN ONE BI-FACIAL LED SOLAR STREET LIGHT

03 FEATURED TECHNOLOGIES



Patented Appearance: Integrated design of solar panel, microprocessor controller, lithium battery and high-efficiency LED light source.



Modular Design: Modular Design of battery and Led chip, transportation, installation and maintenance are more economical and simpler.



Proprietary control system: Road Smart self-developed solar controller can adjust for different working modes easily, unique. Control system with more functions, stability is stronger. Option of microwave induction function to save power and have increased lighting time.



Fourth generation Intelligent power control: Upgraded intelligent power control functions to regulate discharge power according to intelligent judgement of recent weather conditions, supports increased lighting time through more rainy days.



Intelligent high- efficiency LED chips: 3030 LED chips. Optimized brightness, total efficacy is greater than 160lm/w.



Intelligent charge and discharge management: Double protection of charging and discharging by software and hardware, intelligent equalization technology, cycle charging and discharging more than 2000 times.



Professional light distribution design: Equipped with patented lens system for better light distribution area.



Battery Capacity Indicator lights: Battery capacity indicator lights display current power level.



Rotating angle design
The illumination area and light angle can be adjusted according to the width of the road.

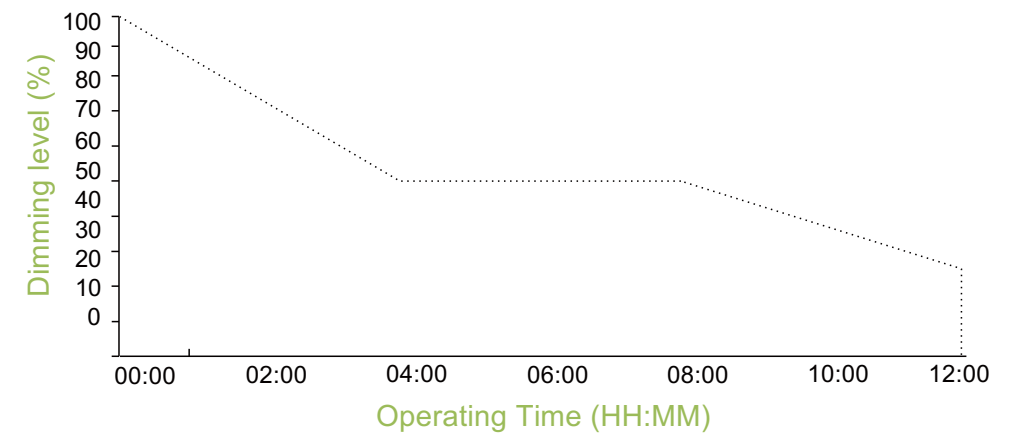
ALL IN ONE BI-FACIAL LED SOLAR STREET LIGHT

04 WORKING MODES

WORKING MODES RADAR SENSING +LIGHT CONTROL

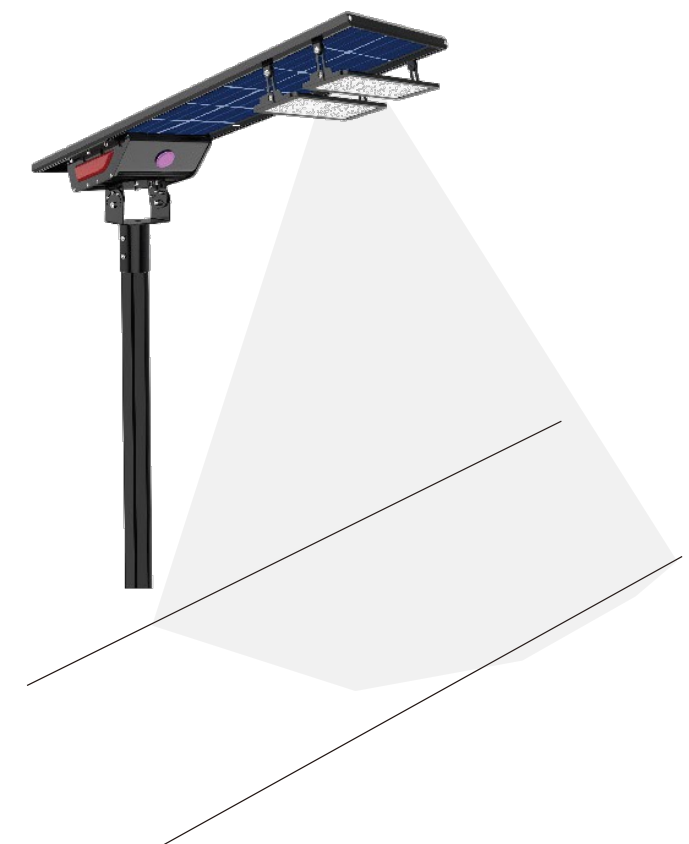
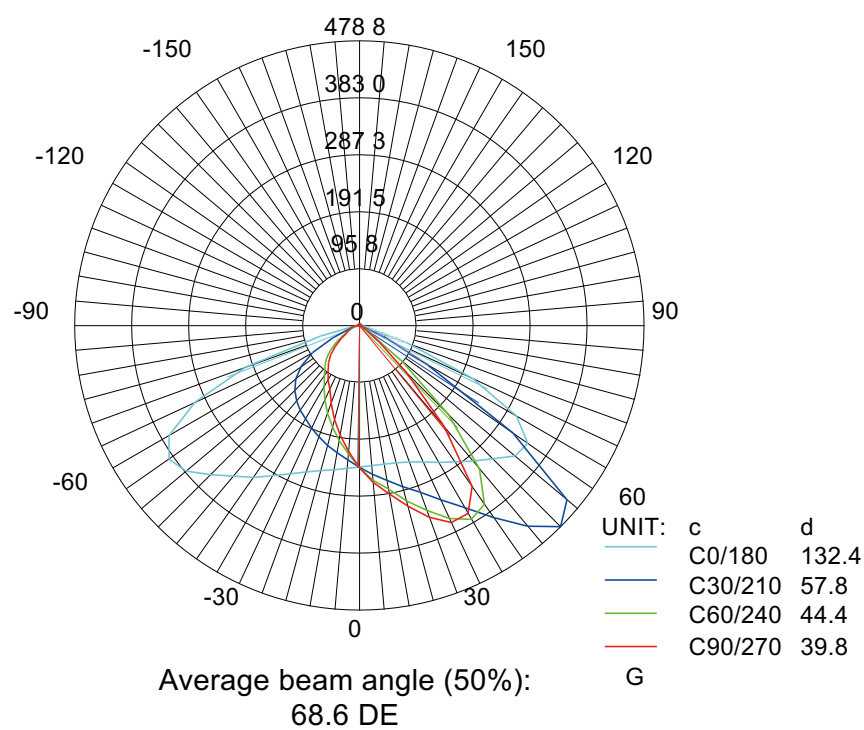
Solar-powered streetlamp provides the adaptive proportion dimming profile for the output constant current level to perform up to 12 consecutive hours.

The light is on for 12 hours every day. In the first four hours, the power decreases gradually, in the second four hours, the power is maintained at 50%, and in the third four hours, the power is maintained at 25%



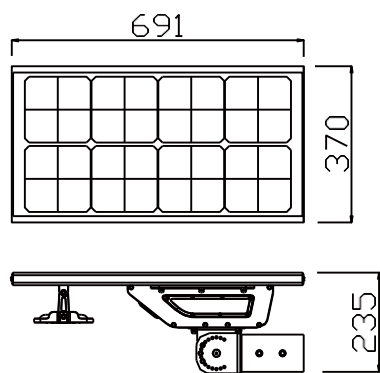
05 LIGHT DISTRIBUTIONS

Luminous intensity distribution curves.

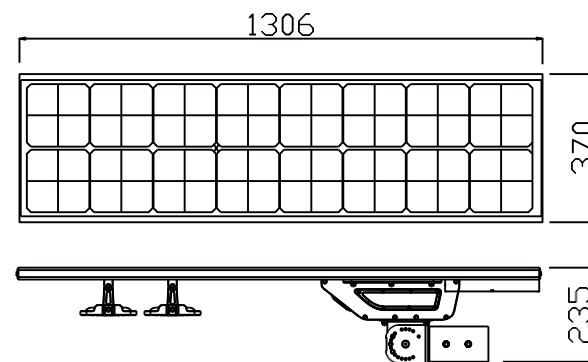


ALL IN ONE BI-FACIAL LED SOLAR STREET LIGHT

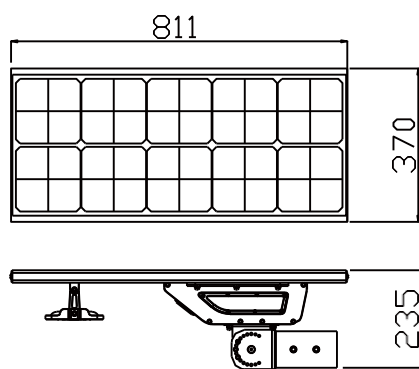
06 DIMENSION



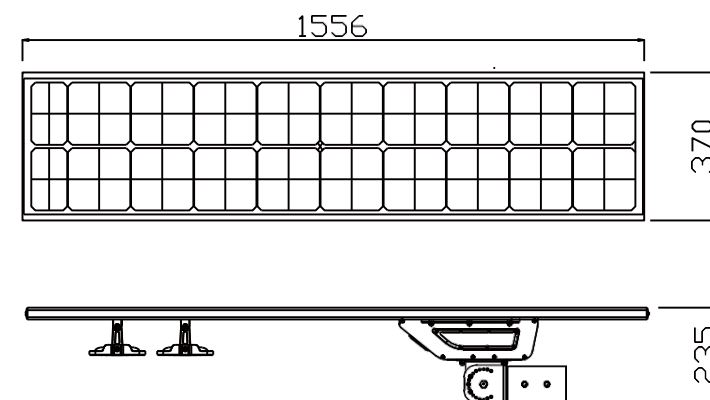
SSL-30W



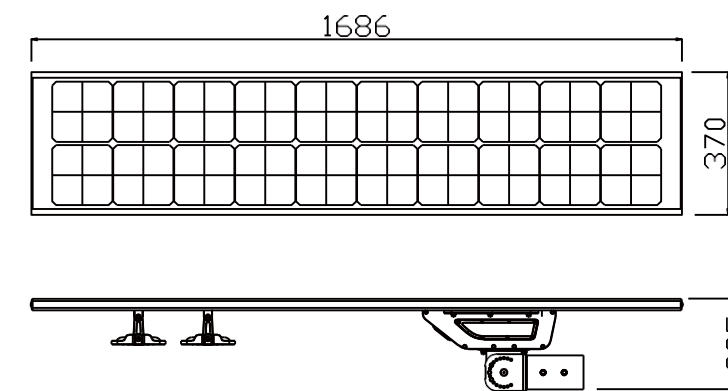
SSL-60W



SSL-40W



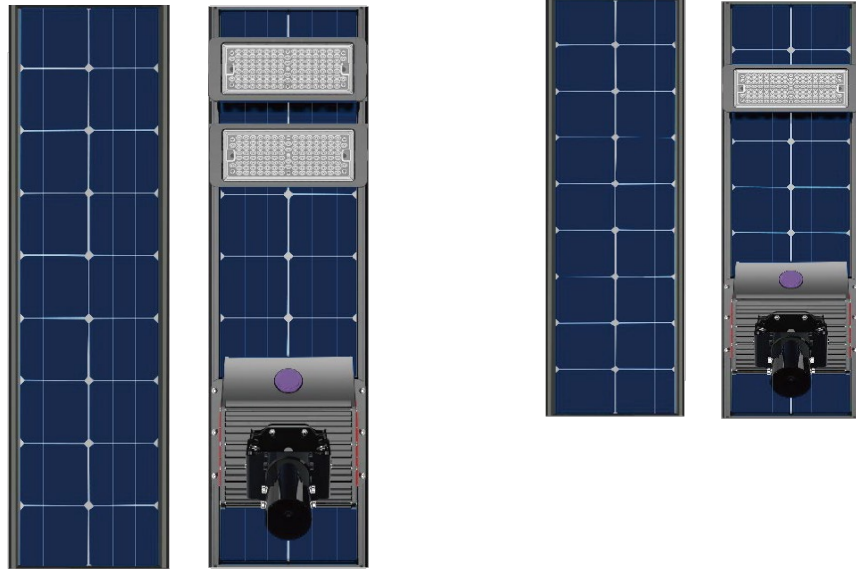
SSL-80W



SSL-100W/120W

ALL IN ONE BI-FACIAL LED SOLAR STREET LIGHT

07 PARAMETER



PACKAGING

Model	G.W	CBM
HS-SSL-30	12.5KG	L730mm*W390mm*H220mm
HS-SSL-40	14.5KG	L850mm*W390mm*H220mm
HS-SSL-60	16.5KG	L1360mm*W390mm*H220mm
HS-SSL-80	20.5KG	L1600mm*W390mm*H220mm
HS-SSL-100	23.5KG	L1730mm*W390mm*H220mm
HS-SSL-120	25.5KG	L1730mm*W390mm*H220mm

Model	HS-SSL-30	HS-SSL-40	HS-SSL-60	HS-SSL-80	HS-SSL-100	HS-SSL-120
Solar panel	40W*2/18V	50W*2/18V	80W*2/18V	100W*2/18V	105W*2/18V	108W*2/18V
LiFePO4 battery	192WH	307WH	460WH	537WH	615WH	768WH
Luminous flux Lamp power	5100LM 30W	6800LM 40W	10200LM 60W	13600LM 80W	17000LM 100W	20400LM 120W
LED qty	120pcs	120pcs	240pcs	240pcs	360pcs	360pcs
Lifespan of LED		50000 hrs				
Color temperature		3000-6500K				
Light distribution		Batwing lens with polarized light				
Lighting time		5-7 rainy days				
Working temperature		- 20°C~60°C				
Top diameter of pole		60MM			76MM	
Mounting height		7-10m				
Installation spacing		20-40m				