

Explosion Protection

Marking Atex

II2 G Ex db op is IIB T5/T6 Gb

II2 D Ex op is tb IIIC T80/90C Db Ip66

Marking IECEX

Ex db op is IIB T5/T6 Gb

Ex op is tb IIIC T80/90C Db IP66

Marking UI844 (North American)

Class I, Division 1, Groups C, D Class

I, Division 2, Groups A, B, C, D Class

II, Division 1, Groups E, F, G Class

II, Division 2, Groups F, G Class III

Marine Marking

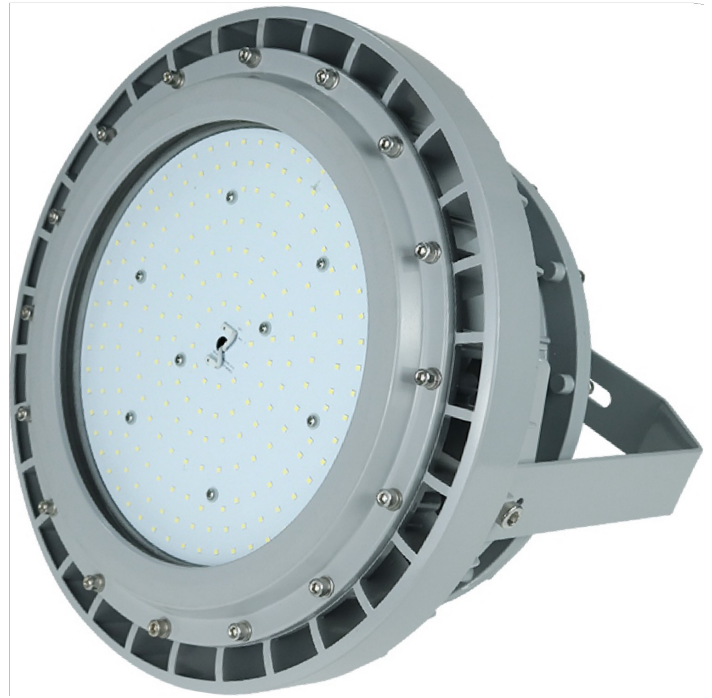
UL 1598A

ABS

Other Rating

IP 66

IK 10



Materials

- Housing: Aluminum
- Lens: Tempered glass
- Hardware: stainless steel
- Mounting Bracket: stainless steel

Specification

Model	Wattage	Color Temperature	Voltage	Lumens	Warranty	CRI
EX-20W C2YZDA	20W	2200K-7000K	AC100-277V Or AC200-480V Or DC12-48V	2800	5 years	80
EX-60W C2YZDA	60W			8400		
EX-80W C2YZDA	80W			11200		
EX-100W CYZDA	100W			14000		
EX-150W CYZDA	150W			21000		
EX-200W C3YZDA	200W			28000		
EX-250W C3YZDA	250W			35000		
EX-280W C3YZDA	280W			39200		

"C,C2,C3"=Product code,"Y"=D or N:Dimmable or non-dimmable "Z"=CCT,from 2200-7000K

"D"=Beam angle, D40 for 40°, D60 for 60°, D90 for 90°, D120 for 120°

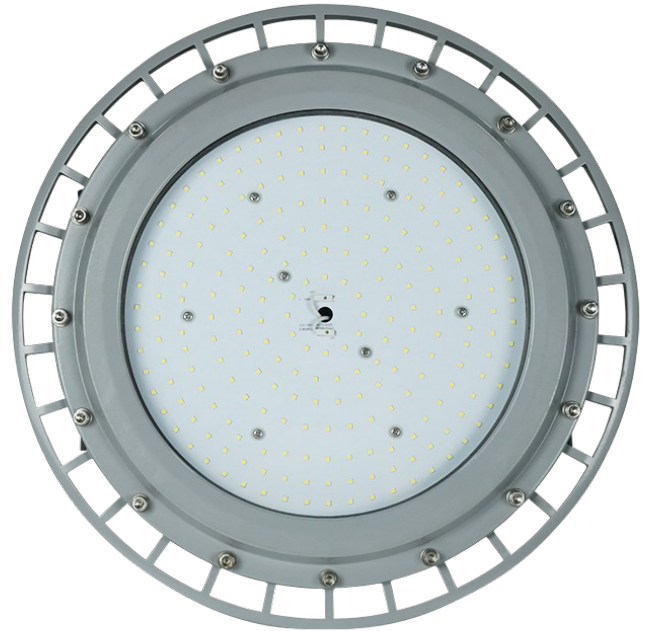
A for glass info. blank for flat glass, C for spherical glass.

Packing Information

Model	Quantity/ Carton	Length(cm)	Width(cm)	Height(cm)	Net weight(kg)	Gross weight(kg)
C	1	55	52	36	17.4	19
C2	1	47	47	34.5	14	16
C3	1	55.5	55.5	34.5	21	25

Features

- Working Temperature: -40°C ~ +60°C. IECEX: -40°C ~ +80°C.
- High quality SMT LED and Meanwell Driver.
- Light-weight design by aircraft aluminum.
- Heavy-duty and high impact resistance.
- Three connection cable entry points.
- Replaceable LED board and drivers.
- Integrated junction box for driver with emergency back up.
- Dimmable and battery back up function available.
- Marine rating powder coated appearance treatment.
- Up to 5 years limited warranty option.
- Emergency Battery back up to three hours.
- Various installation ways for different applications.
- Glass lens or Glass with polycarbonate lens to make bigger beam angle.



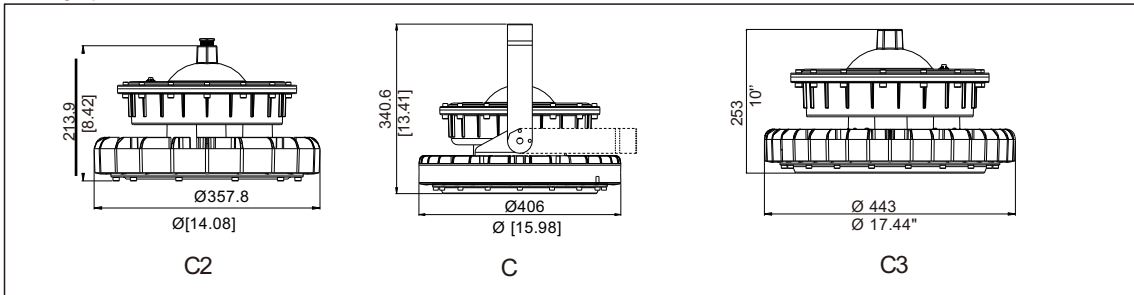
Light Distribution

40D				60D				90D				120D			
Center Beam fc		Beam Width		Center Beam fc		Beam Width		Center Beam fc		Beam Width		Center Beam fc		Beam Width	
4ft	2008fc	4ft	4ft	4ft	1434fc	6ft	5ft	4ft	1024fc	8ft	8ft	4ft	683fc	11ft	11ft
8ft	480fc	7ft	7ft	8ft	343fc	11ft	11ft	8ft	255fc	15ft	16ft	8ft	170fc	21ft	22ft
12ft	203fc	11ft	11ft	12ft	145fc	17ft	14ft	12ft	105fc	24ft	26ft	12ft	73fc	32ft	33ft
16ft	115fc	15ft	16ft	16ft	81fc	22ft	23ft	16ft	58fc	32ft	33ft	16ft	39fc	43ft	45ft
20ft	98fc	19ft	23ft	20ft	69fc	27ft	31ft	20ft	39fc	39ft	45ft	20ft	26fc	53ft	56ft
<ul style="list-style-type: none"> ■ Vert, Spread; 40° ■ Horiz, Spread; 40° 				<ul style="list-style-type: none"> ■ Vert, Spread; 60° ■ Horiz, Spread; 60° 				<ul style="list-style-type: none"> ■ Vert, Spread; 90° ■ Horiz, Spread; 90° 				<ul style="list-style-type: none"> ■ Vert, Spread; 120° ■ Horiz, Spread; 120° 			

Dimension

Unit: mm or inch

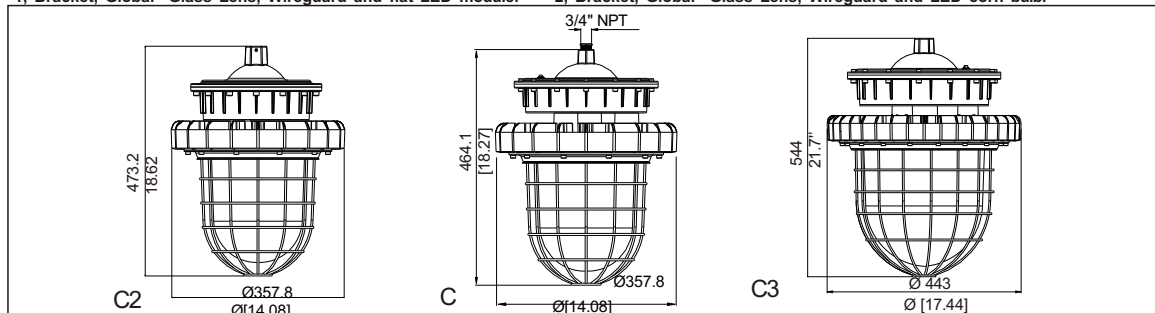
Housing Option A: Bracket and Flat Glass Lens



This structure type with bracket, flat glass and optics lens generates 40°, 60°, 90° and 120° light distribution.

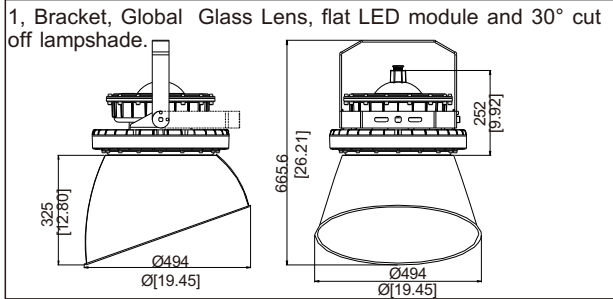
Housing Option B:

- 1, Bracket, Global Glass Lens, Wireguard and flat LED module. 2, Bracket, Global Glass Lens, Wireguard and LED corn bulb.



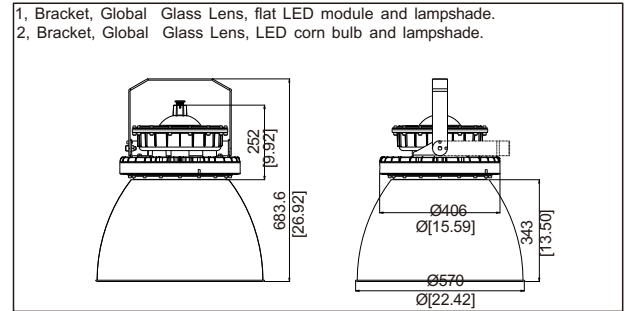
This structure type with bracket, global glass lens and wireguard generates 180° light distribution. We also can put corn bulb in the global glass lens to make this beam angle up to 360°.

Housing Option C



This structure can make the lighting distribution more concentrated for special beam angle.

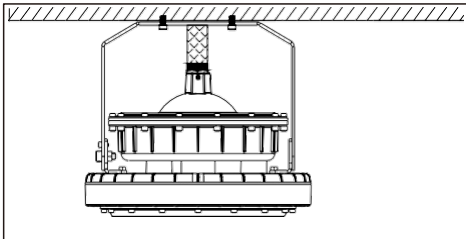
Housing Option D



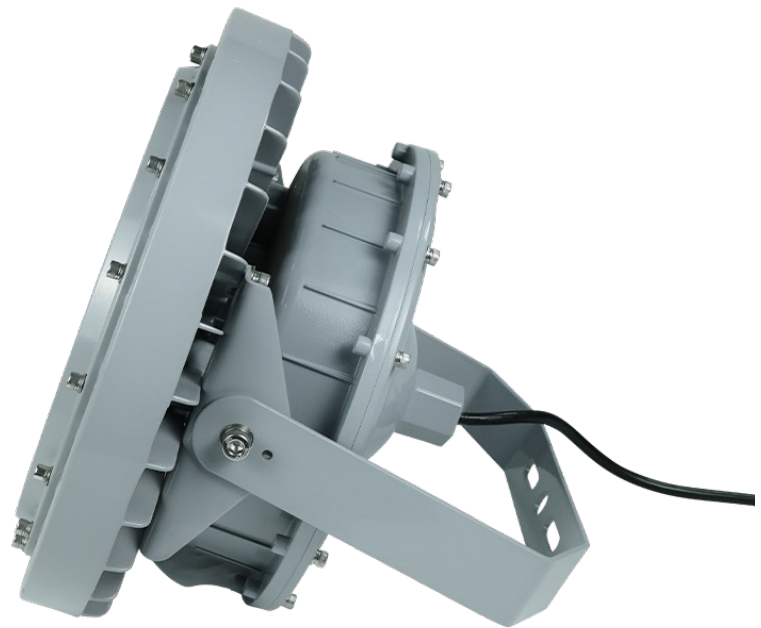
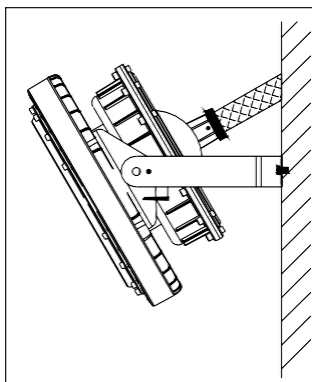
This structure can make the lighting distribution more concentrated.

Mounting

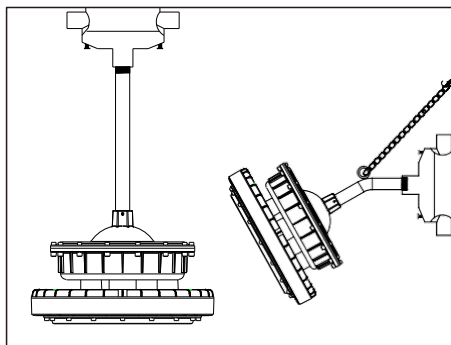
No.1: Ceiling Mounting



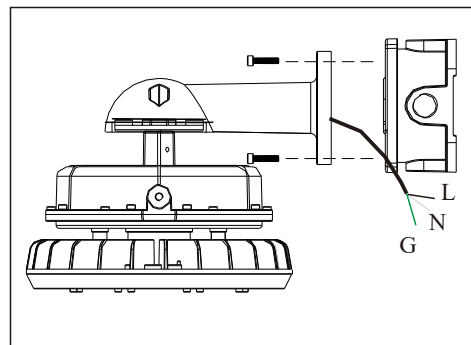
No.2: Wall Mounting



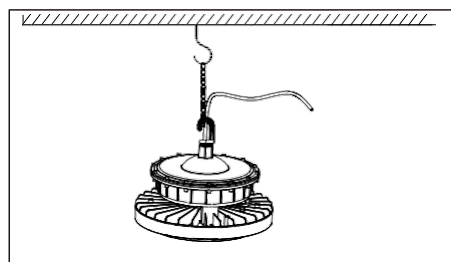
No.3: Pole Mounting



No.5: Wall Mounting to Junction Box



No.4: Hook Pendant Mounting



Accessories



- Model: Ex-Junction01 Name: Junction Box
Material: Aircraft Aluminum A383



- Model: EX-Hook Name: Installation Hook
Material: Aircraft Aluminum A383



- Model: Ex-Conduit01 Name: Metal Conduit
Material: Stainless Steel and Aluminum



- Model: EX-WPipe Name: Winding Swing Pipe
Material: Iron with Power Coating



- Model: EX-SPipe Name: Winding Swing Pipe
Material: Iron with Power Coating



- Model: Ex-D01 Name: Pendant Direction Adapter
Material: Aircraft Aluminum A383



- Model: EX-MArm Name: Surface Mounting Arm
Material: Aircraft Aluminum A383



- Model: EX-25PSupport Name: 25 Degree Pole Support
Material: Aircraft Aluminum A383



- Model: EX-90PSupport Name: 90 Degree Pole Support
Material: Aircraft Aluminum A383



- Model: Ex-90JSupport Name: 90° Arm to Junction box
Material: Aircraft Aluminum A383



- Model: Ex-25JSupport Name: 25° Arm to Junction box
Material: Aircraft Aluminum A383



- Model: Ex-DArm Name: Direct Mounting Arm
Material: Aircraft Aluminum A383



- Model: Ex-ShadeB/B2/B3 Name: Lamp Shade
Material: Aluminum A6061



- Model: Ex-CshadeB/B2/B3 Name: Cut off lamp shade
Material: Aluminum A6061



- Model: Ex-Chain Name: Pendant Chain
Material: Stainless Steel S30400

