

LED AREA SERIES POST TOP

POWER / COLOR ALL IN ONE

PRODUCT DESCRIPTION

The area series has the high-performance solution for the most demanding applications within a unique design. With different precision refractive optical lens and an easy-install design, it can be used in many applications such as pedestrian street, factory, schools, garden, courtyard, hotel, parking lot, public parks, etc.

FEATURE

- Air cooling design
- IP67 rated enclosure
- Post top or Pendant Mounting
- Superior low-glare illumination
- Optional with photocell
- Optional black, white or bronze color

Notes: Customers can choose a lamp with a baffle as needed.
Special order-ask customer service.

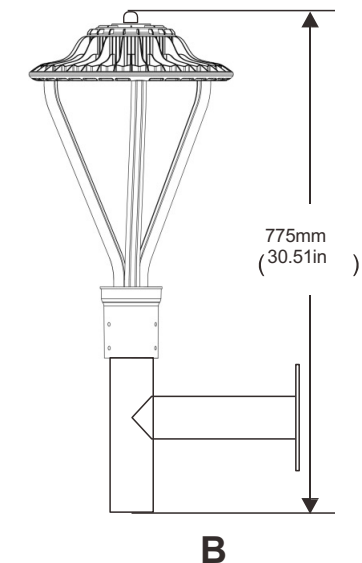
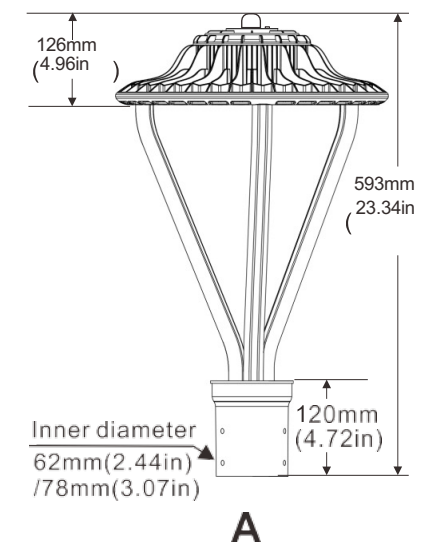
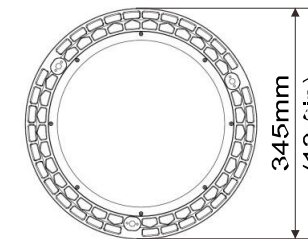
*If the customer does not specify a requirement, the inner diameter defaults to 62mm



Intertek



Adjustable power
Adjustable color temperature



LED AREA SERIES POST TOP

ORDERING INFORMATION

Area series	Watts	Version	CCT	Voltage	Control	Installation	Beam Angle	Color
BB-LD	30W/50W/75W (All in one)	3 in 1	Blank	Blank - 100-277VAC	Blank - Photocell Sensor	Blank - 2.4"(62mm)pole	Blank - TypeV	Blank - Bronze
			3000K				T2-Type II	WH - white
			4000K	HV-200-480VAC	MS - Motion Sensor	P1 -3"(78mm)pole	T3 - TypeIII	BC - black
	75W/100W/120W/150W (all in one)		5000K				T4 - TypeIV	
			Optional					
			4000K					
			5000K					
			5700K					

LED AREA SERIES POST TOP

PERFORMANCE DATA

Power	30W/50W/75W	75W/100W/120W/150W
Model	BB-LD-(60~75W)-AR-CWT	BB-LD-(75~150W)-AR-CWT
Luminous Flux	30W=3900lm; 50W=6500lm;75W=9750lm	75W=9750lm;100W=13000lm;120W=15600lm;150W=19500lm
Replacment	30W=HPS 100W; 50W= HPS 150W 75W=HPS 200W	75W=HPS 150W;100W=HPS 300W;120W=HPS 400W;150W=HPS 450W
Light Source	SMD LED	
Luminous Efficacy	130lm/W	
Color	Bronze,Black, White (Standard Color is Bronze)	
Cover	Frosted Cover	
Accessories	Options: A.Pole Bracket B. Wall Bracket C. Wall baffle	
DLC Certification	Type A DLC Listed	
Operating Temperature	-40 to +45C	
CCT	3000K/4000K/5000K All in one. Optiopn: 4000K/5000K/5700K	
CRI	80+	
Life Span	50,000 hours at 25C	
Voltage	100-277VAC/50-60HZ	
Driver	UL Ilsted Power supply	
Dimming	No	
With Sensor	Photocell	
Beam Angle	120 Degree	
IP	67	
PF	>0.95	
Warranty	3/5 years	



External Photocell Sensor
(Manual operation)



Built-in Photocell Sensor
(Remote control)

LED AREA SERIES POST TOP

PROJECTS

By using our 50w area light to replace 150w metal halide bulb for parking area lighting fixtures, the customer is now able to save a lot per month from his electric bill

APPLICATION

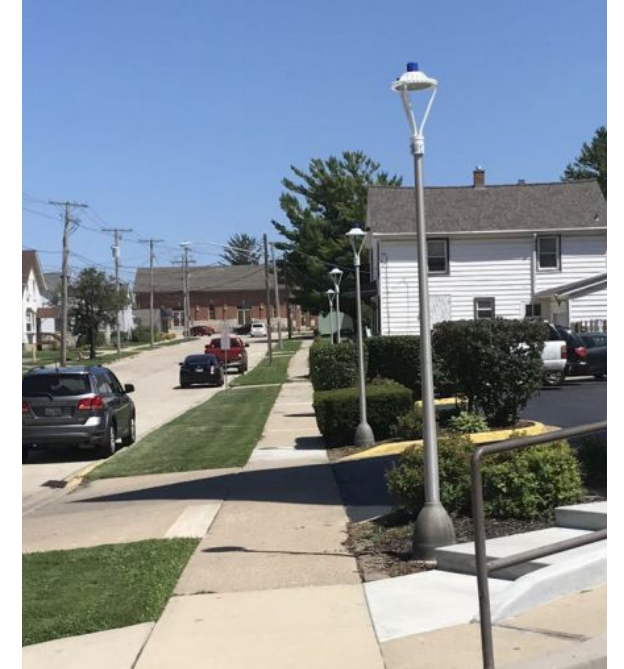
- Courtyard lighting
- Public parks lighting
- Street escapes lighting
- Parking areas lighting
- Hotel lighting

Notes:

1. Don't take the LED lamp apart.
2. The LED lamp must work under the right voltage according to the specification.



Street escapes lighting



Hotel lighting



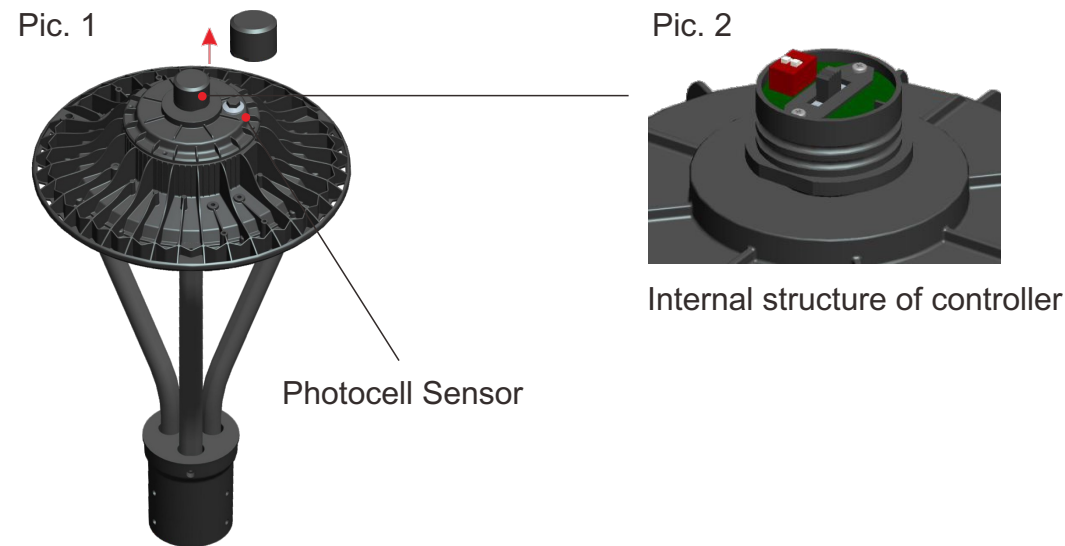
Public parks lighting



LED AREA SERIES POST TOP

ADJUSTABLE POWER, ADJUSTABLE COLOR TEMP CONTROLLER INSTRUCTIONS (manual operations)

- Pull out the controller cover firmly upwards (see pic. 1)
- Adjust the power in zone A and adjust the color temperature in zone B. The factory default power is 75W and the color temperature is 5000K (see pic. 2)



INSTRUCTIONS FOR ADJUSTING THE POWER (ZONE A):

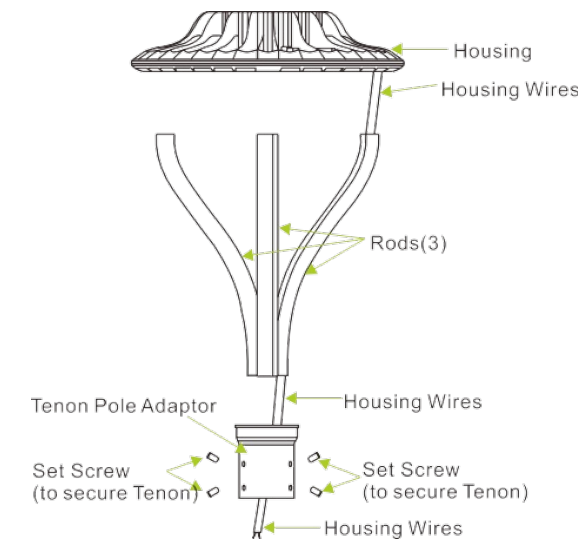
30W/50W/75W	75W/100W/120W/150W
30W: A1 to OFF, A2 to ON, picture 4. 50W: A1 to ON, A2 to OFF, picture 3. 75W: A1 to ON, A2 to ON.	75W: A1 to OFF, A2 to OFF 100W: A1 to ON, A2 to OFF 120W: A1 to OFF, A2 to ON. 150W: A1 to ON, A2 to ON.

INSTRUCTIONS FOR ADJUSTING THE COLOR TEMPERATURE (ZONE B):

3 gears adjustment: B3=3000K, B2=4000K, B1=5000K. The factory default is 5000K (B1). When adjusting the color temperature, just pull the button to the corresponding position.

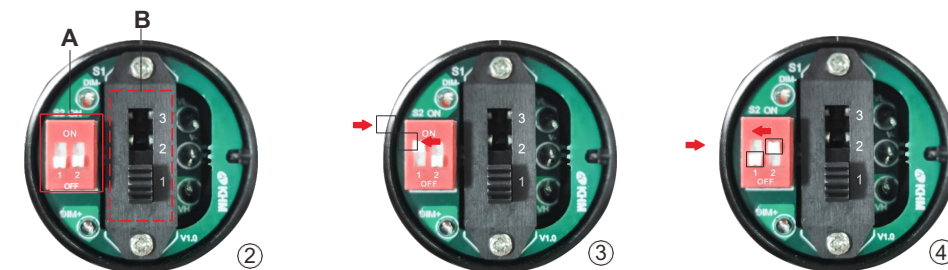
FIXTURE ASSEMBLY

- Feed the (3) housing wires through one of the three rods.
- Clip the (3) rods onto the housing. Be sure the housing clips are properly engaged onto the Rods.
- Feed fixture wires through the Tenon pole adaptor.
- Slide Tenon pole adaptor on three rods. Be sure the notches face the inside of the Tenon pole adaptor.
- Tighten the (3) set screws at the Tenon pole adaptor to secure rods.



HOW TO USE PHOTOCELL SENSOR

- Open the photocell sensor function: remove the photocell sensor cover.
- Close the photocell sensor: close the photocell sensor cover.

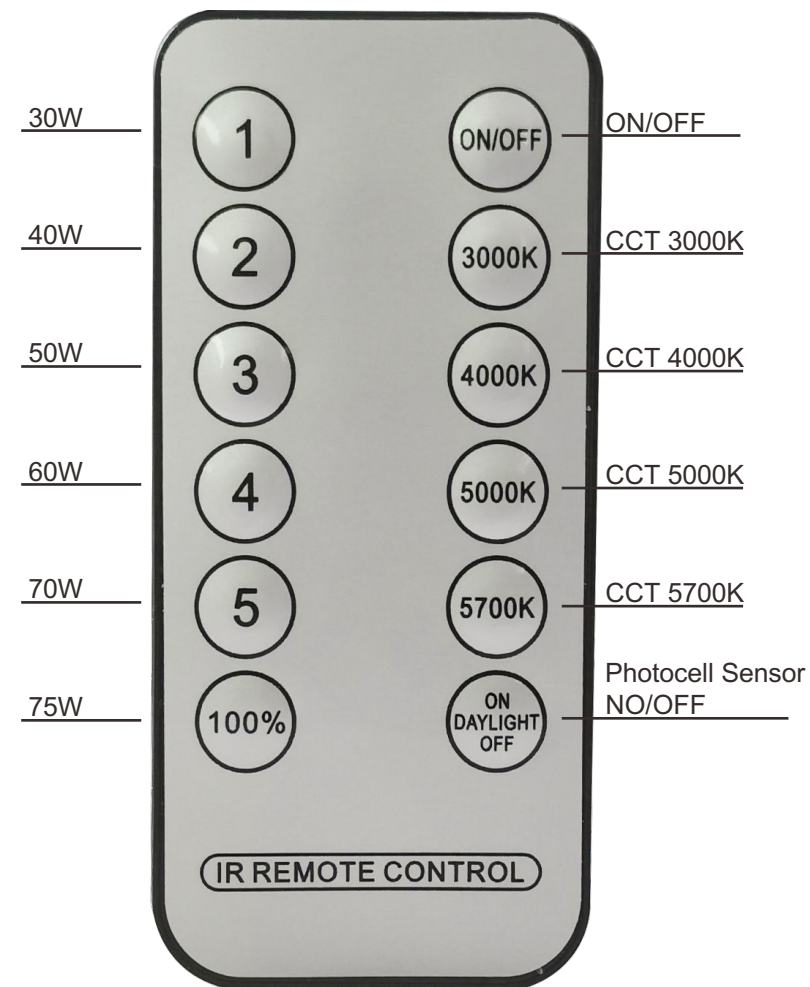


LED AREA SERIES POST TOP

BUILT-IN PHOTOCELL SENSOR REMOTE CONTROL INSTRUCTIONS

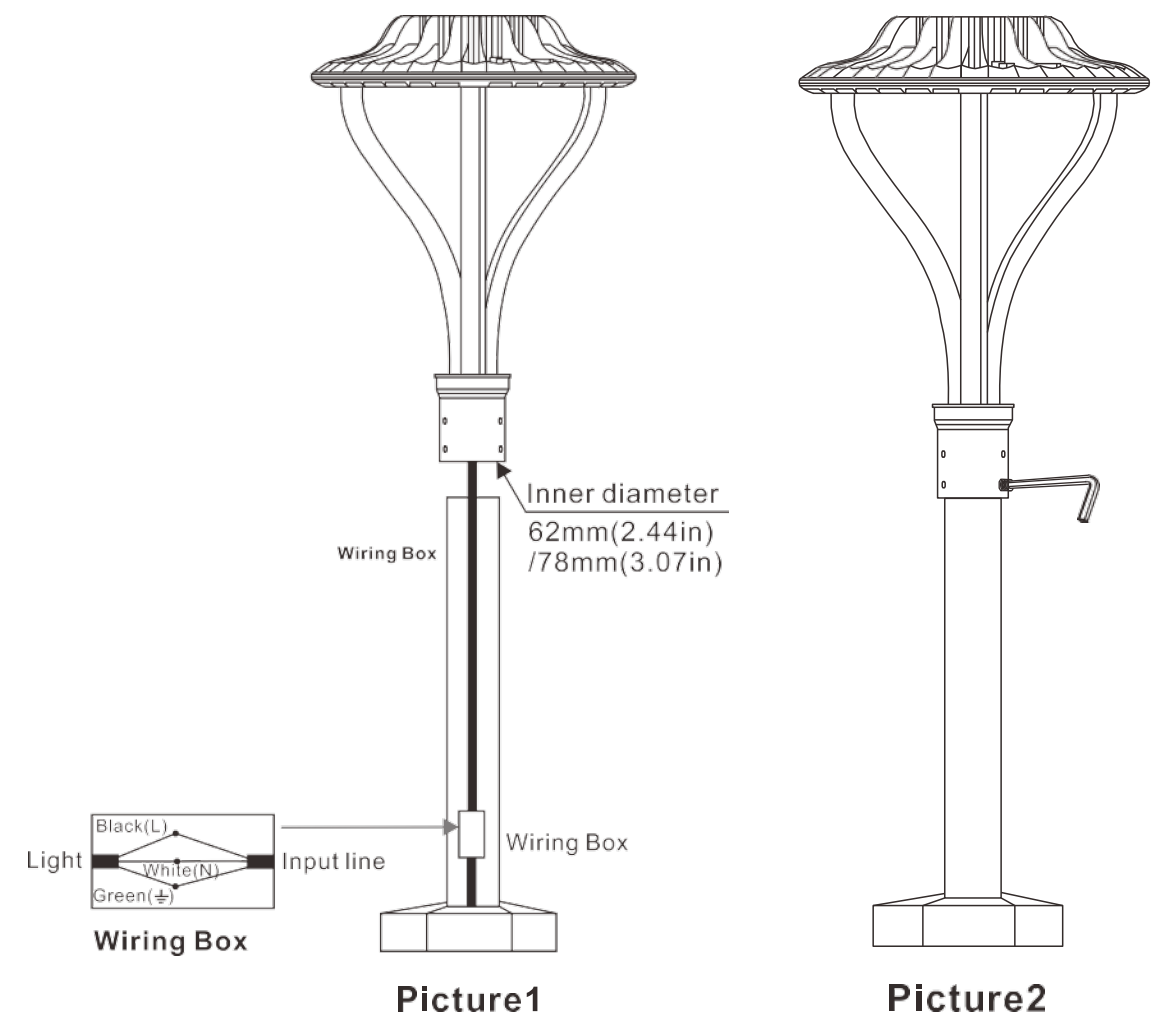
HOW TO USE THE REMOTE CONTROL

Turning off the light will force the photocell sensor to turn on, and turning on the light will force the photocell sensor to turn off. When the power is on for the first time the light flashes once to indicate that the photocell sensor is off, and when the light is normally on, the photocell sensor is on.



POLE MOUNTING

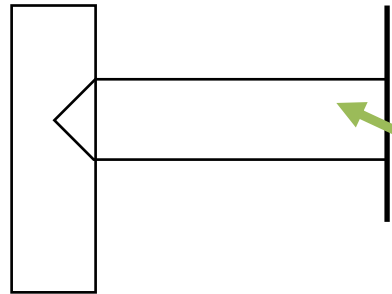
- Turn off the power before installation.
- Wiring right in the wiring box (“Black” is connected “L”, “White” connects to “N”, “Green” connects to “Ground”) and set the lamp into the bracket by the hole (pic. 1)
- Fasten the four screws with a hex wrench and finish (pic. 2)



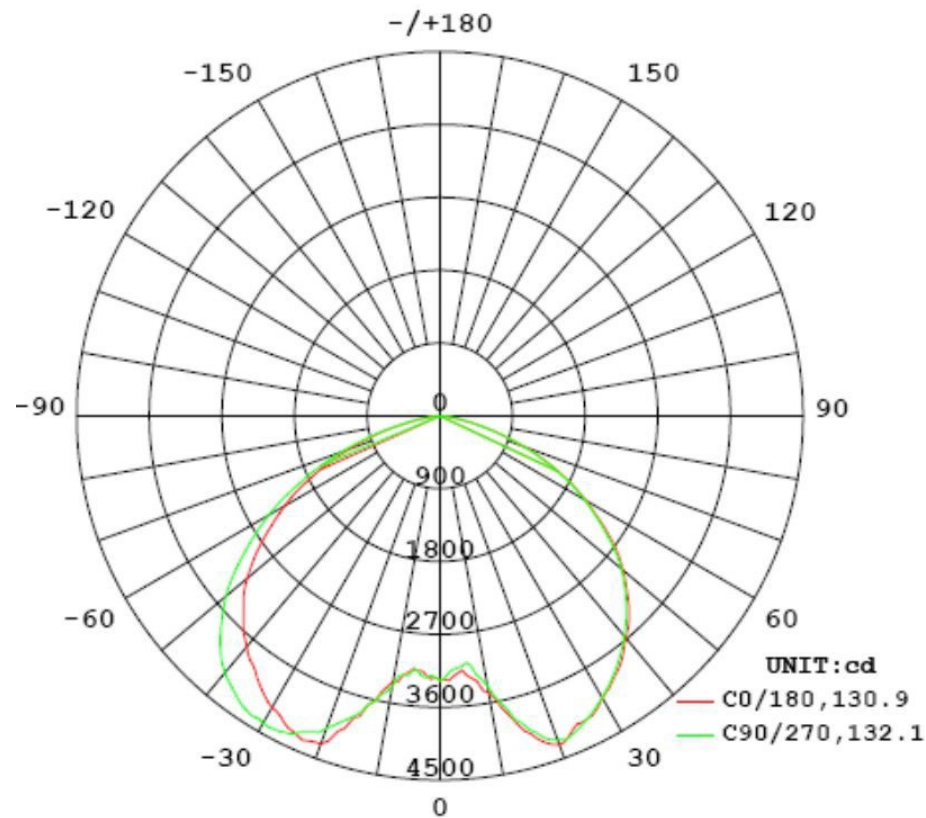
LED AREA SERIES POST TOP

WALL MOUNTING

Wall bracket



LUMINOUS INTENSITY DISTRIBUTION



OPTIONAL ACCESSORIES

Unit: in(mm)

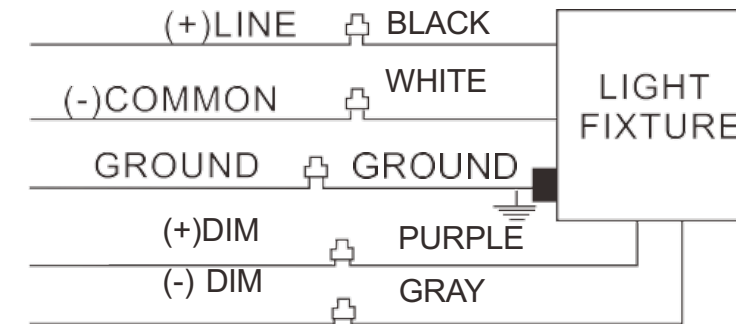
<p>203-000104</p> <p>Motion Sensor</p>	<p>203-000188</p> <p>Wall Bracket</p>	<p>203-000178</p> <p>With a Baffle</p>	<p>203-000102</p> <p>MGD03(2.4" to 3.5" round pole)</p>
<p>203-000104</p> <p>MGD04(2.4" to 3" square or 4" round pole)</p>	<p>203-000124</p> <p>MGD08(2.4" to 4" square or 5.5" round pole)</p>	<p>203-000128</p> <p>MGD09(2.4" to 6.5" round pole)</p>	<p>203-000154</p> <p>MGD11(2.4" to 3" square or 4" round pole)</p>
<p>203-000132</p> <p>MGD10(2.4" to 3" square pole)</p>	<p>203-200017</p> <p>MGD12(2.4" to 4" square pole)</p>		

LED AREA SERIES POST TOP

WIRING

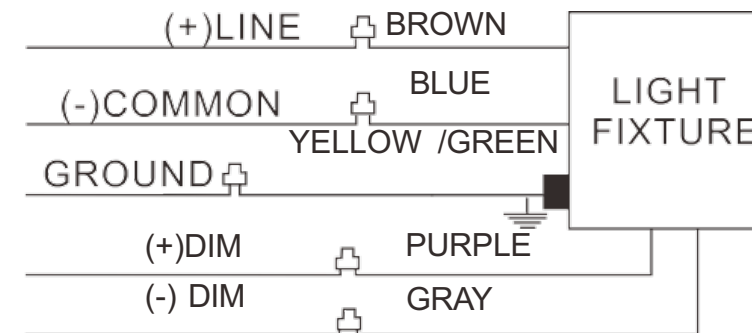
US

- Connect the black fixture lead to the (+) LINE supply lead
- Connect the white fixture lead to the (-) COMMON supply lead
- Connect the green ground wire from fixture to supply ground
- Connect the purple fixture lead to the (+) dimmer
- Connect the gray fixture to the (-) dimmer



EU

- Connect the brown fixture lead to the (+) LINE supply lead
- Connect the blue fixture lead to the (-) COMMON supply lead
- Connect the yellow/green ground wire from fixture to supply ground
- Connect the purple fixture lead to the (+) dimmer
- Connect the gray fixture lead to the (-) dimmer



PACKING INFO

Item	Packaging	Carton Size(mm) (L*W*H)	N.W	G.W	Volume weight
Lamp	1pc/CTN	17.3"X15.0"X?.9" 440*380*200mm	11.0lbs 5.0kg	13.9 lbs 6.3kg	15.4 lbs 7.0kg
Wall bracket	1pc/CTN	14.2"X10.4"X7.3" 360*265*185mm	5.1lbs 2.3kg	8.2 lbs 3.7kg	10.2 lbs 4.6kg