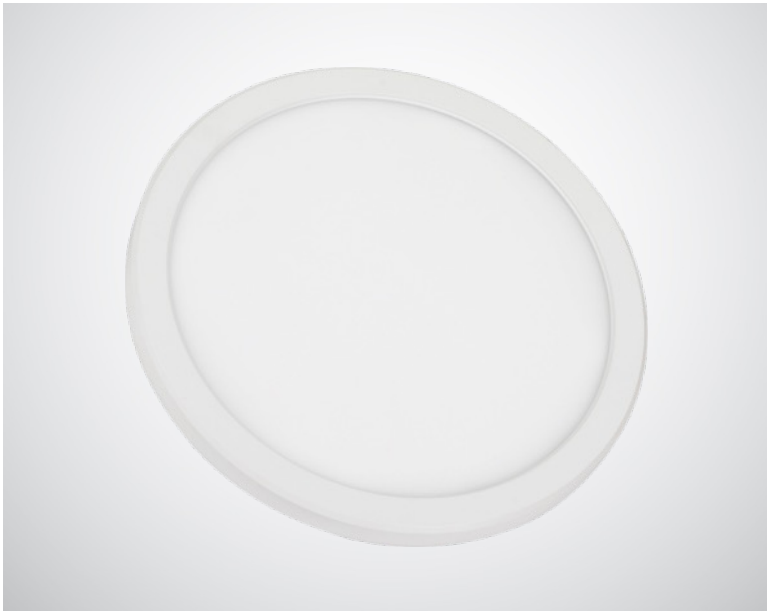


LED SURFACE MOUNT DOWNLIGHT – SMD SERIES



Application: Ideal for residential place, office, hallways, utility room and commercial place such as hotel rooms.

Product Description

This integrated LED surface mount down light is a ultra-thin sleek fixture with smooth white trim. It can be installed directly to most round or octagon junction boxes. Designed for commercial or residential use. CCT can be adjusted on field to suit different environment needs.

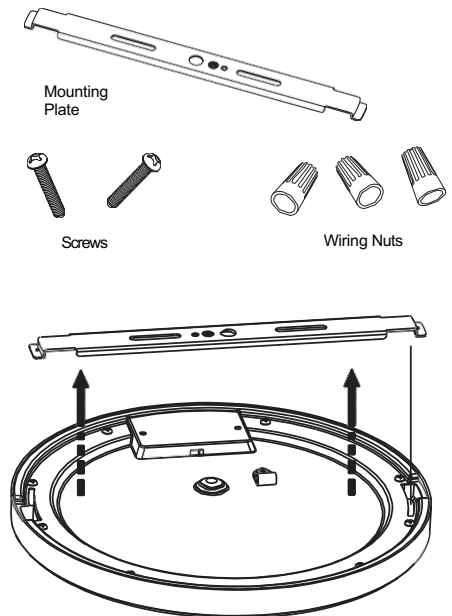
Certifications



SPECIFICATIONS

| Model No. | HY-SMD-R5-10W-3CCT | HY-SMD-R7-15W-3CCT | HY-SMD-R9-18W-3CCT | HY-SMD-R12-24W-3CCT |
|------------------------|--|--------------------|--------------------|---------------------|
| Wattage | 10W | 15W | 18W | 24W |
| Lumens | 650LM | 1050 LM | 1250LM | 1800LM |
| Size | 5" | 7" | 9" | 12" |
| Rated Input Voltage(V) | 120 V 60Hz AC | | | |
| CCT | 3CCT Selectable: 3000K-4000K-5000K | | | |
| Dimming | Triac dimming | | | |
| CRI | ≥80 | | | |
| Beam Angle (°) | 120° | | | |
| Protection Rtaing | IP20 (For Indoor Use Only) | | | |
| CF | 0.9 | | | |
| Color Rendering Index | CRI>80 | | | |
| Life Span | Lumen Maintenance over 70% @ 50,000+ Hours | | | |
| Working Temperature | - 4°F ~+105°F / -15°C ~+40°C | | | |
| Finish | White | | | |
| Certificate | ETL/Energy Star | | | |
| Package Info | 18.5"X6.1"X12.8" | 22.8"X6.1"X15.8" | 18.9"X11.4"X9.8" | 12.8"X11.4"X13" |
| PC/ Master Pack | 30 | 30 | 20 | 10 |
| Weight | 18.1 LB | 26.9 LB | 25.8 LB | 22.3 LB |

Accessories inside the box



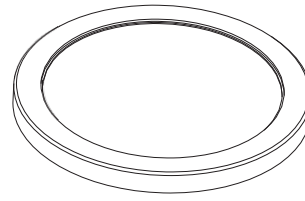
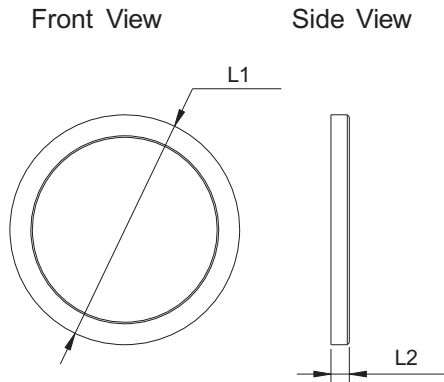
ORDERING CODE DEFINITION

EXAMPLE: HY-SMD-R5-10W-3CCT

| Company Code | Product | Size | H | CCT |
|--------------|------------------------------|----------------|-----|---|
| HY | SMD- Surface Mount Downlight | R5: Round 5" | 10W | 3CCT : 3CCT Selectable: 3000K-4000K-5000K |
| | | R7: Round 7" | 15W | |
| | | R9: Round 9" | 18W | |
| | | R12: Round 12" | 24W | |

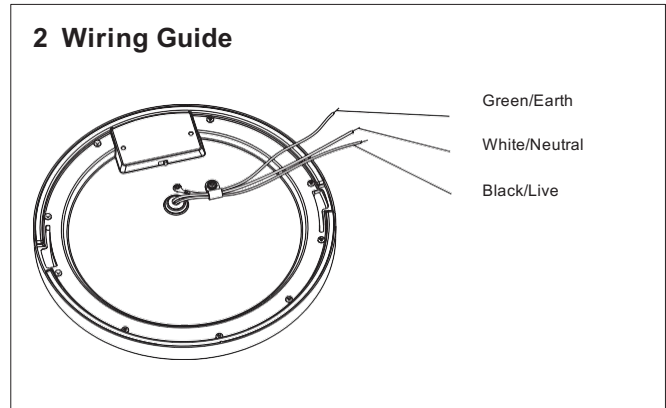
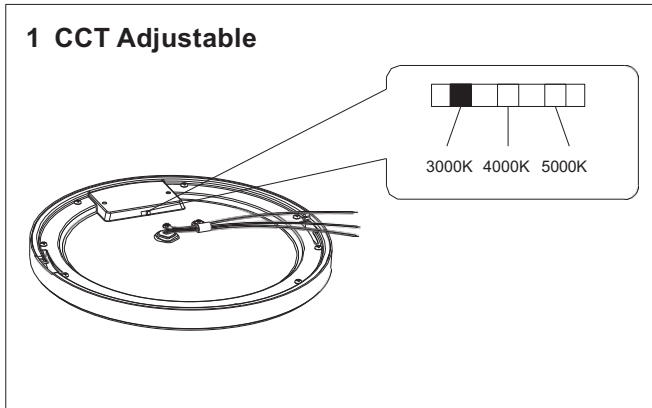


PRODUCT DIMENSION



| Model No. | HY -SMD-R5-9W-3CCT | HY -SMD-R7-12W-3CCT | HY -SMD-R9-18W-3CCT |
|-----------|--------------------|---------------------|---------------------|
| Size | | | |
| L1 | Φ140mm/Φ5.51" | Φ180mm/Φ7.09" | Φ225mm/Φ8.86" |
| L2 | 18mm/0.71" | 18mm/0.71" | 18mm/0.71" |

OPERATING GUIDE



PHOTOMETRIC REPORT

