

LED T8 TUBE LIGHTS TYPE AB G1 SERIES

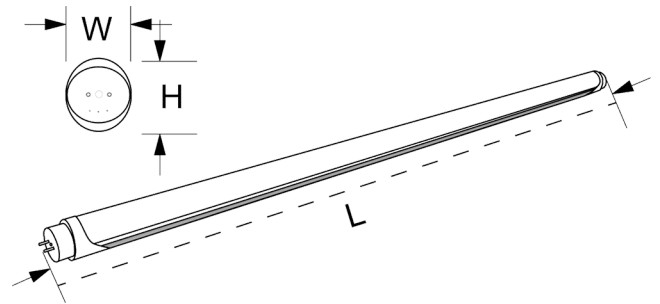


Product Features

- **Dimming:** Economic triac dimming, **Continuous Dimming to 30% or below.**
- **All IN One:** 3 Powers & 3 CCT Tunable Options.
- **Installation:** Plug & Play Compatible Electronic Ballast & ballast bypass, Direct wire, Single-End or Double-End Input.
- **Construction:** Aluminum case and PC lens, Standard colors are Clear and Frosted.
- **LED System:** LED system with a life rating of $\geq 50,000$ hours at L70 @25°C. Luminous efficacy > 130 lm/W.
- **Electrical:** 100V-277/347 VAC. PF ≥ 0.9 and THD $\leq 20\%$.
- **Certification:** ETL Listed. DLC SSL 5.1 Standard.
- **Warranty:** Limited 5-Year Warranty.

Dimension

Item	L×W×H (inch)
2FT	24" x 1.12" x 1.28"
4FT	48" x 1.12" x 1.28"



Order Information

Part No.	Length	Power	Luminous Flux	Luminous Efficacy	Certificate
EDI-T82F8-AB G1	2ft	8W	1040 lm	130 lm/w	ETL DLC 5.1
EDI-T84F10-AB G1	4ft	10W	1700 lm	170 lm/W	ETL DLC 5.1
EDI-T84F12-AB G1		12W	1800 lm	150 lm/W	
EDI-T84F15-AB G1		15W	1950 lm	130 lm/W	
EDI-T84F18-AB G1		18W	2340 lm		
EDI-T84F20-AB G1		20W	2600 lm		
EDI-T84F22-AB G1		22W	2860 lm		
EDI-T84F24-AB G1		24W	3120 lm		

LED T8 TUBE LIGHTS TYPE AB G1 SERIES

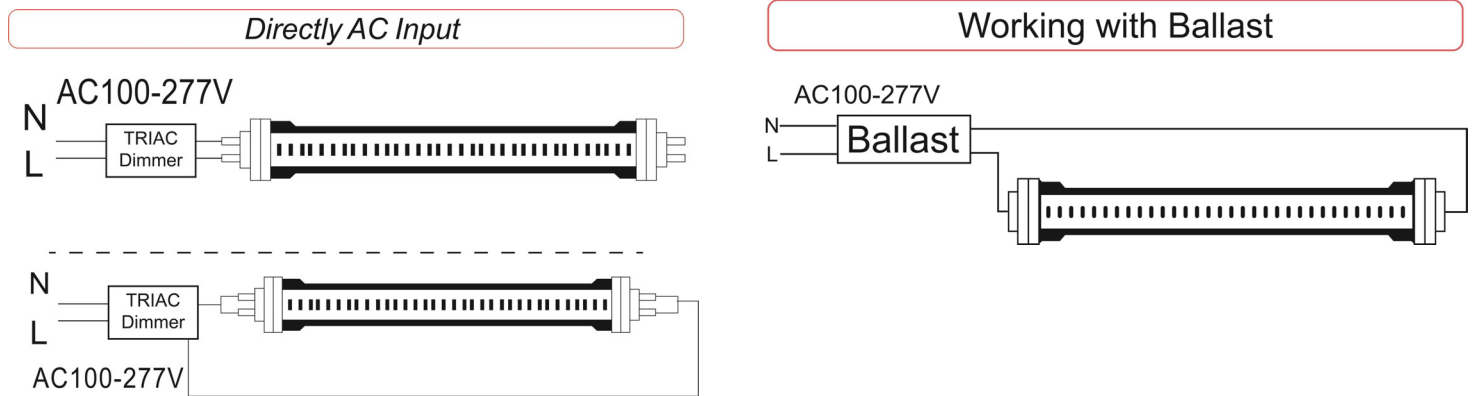
Specifications

		EDI-T82F 8-AB G1	EDI-T84F 10-AB G1	EDI-T84F 12-AB G1	EDI-T84F 15-AB G1	EDI-T84F 18-AB G1	EDI-T84F 20-AB G1	EDI-T84F 22-AB G1	EDI-T84F 24-AB G1
	Length	2ft	4ft						
	Voltage	100-277 VAC	100-277/347 VAC						
	Wattage	8W	10W	12W	15W	18W	20W	22W	24W
	Efficacy	130 lm/W	170 lm/W	150 lm/W	130 lm/W				
	Lumen	1040 lm	1700 lm	1800 lm	1950 lm	2340 lm	2600 lm	2860 lm	3120 lm
	Base	G13							
Certifications	Safety / DLC	ETL DLC Stander 5.1							
Photo metric	CCT	3500K-6500K							
	SDCM	≤6							
	Beam Angle	120°							
	Ra	>80							
	R9	>0							
Electrical	Wattage	8W	10W	12W	15W	18W	20W	22W	24W
	Current	Max 0.08A	Max 0.10A	Max 0.12A	Max 0.15A	Max 0.18A	Max 0.20A	Max 0.22A	Max 0.24A
	Rated Voltage	100-277/347 VAC							
	Frequency	50/60Hz							
	THD	≤ 20%							
	Electric Shock Protection	Built-in smart chip, Current shall not exceed 5 M.I.U (Option)							
	Surge Protection	2KV							
	Power Factor	≥ 0.9							
Lifetime	L70	≥ 50000							
	L90	≥ 36000							
	Warranty	5 Years							
Material	Housing	Aluminum							
	Optical-Lens	PC Frosted / Clear							
Operation	Start Time	≤ 1S							
	Operating Temp	-4°F - 104°F							
	Storage Temp	-22°F - 140°F							
	Optical-Lens	PC Frosted /Clear							
	Environment	Indoor							
	Ingress Protection	IP22 Rating							



LED T8 TUBE LIGHTS TYPE AB G1 SERIES

Wiring Diagram



Packing / weight

Size	Outer box (L*W*H)	Qty/Ctn (pcs)	G.W/Ctn (lbs)	Container 20GP(28 m ²)	Container 40HQ(68 m ²)	Container 45HQ(78 m ²)
2ft	24.6*7.28*7.28 in 625*185*185 mm	25	9.3	27000 pcs	78000 pcs	90000 pcs
4ft	48.6*7.28*7.28 in 1235*185*185 mm	25	16.0	13000 pcs	39600 pcs	45000 pcs

Warranty

This product has a warranty of period of 5 years from the date of purchase. The warranty is invalid in the case of improper use, installation, tampering or removal of the Q.C. and/or date label, usage in improper working environment or installation not according to the current edition of the National Electric Code. Should this product fail during the warranty period it will be replaced free of charge, subject to correct installation and return of the faulty unit. Manufacturer does not accept responsibility for any installation costs associated with the replacement of this product. This warranty is in addition to the statutory rights in your country of purchase. Manufacturer reserves the right to alter specifications without prior notice.

Note

1. The installation and maintenance must be completed by electricians or professionals.
2. Please cut off the power before installation and maintenance.
3. The thermally insulating material is not allowed to cover the fixture.
4. Please keep away from the corrosive substance, and keep the fixture dry and clean.
5. Working temperature: -4°F~104°F, storage temperature: -22°F~140°F.