

LED TUBE TYPE C T8 SERIES

G1 SERIES



G2 SERIES



Product Features

Electrical

- 3 Power / 6 Power / 12 Power Adjustable.
- Driver: 120-277V, 120-347V, 60Hz. PF>0.9, THD<20%, 12V DC Option.

LED CHARACTERISTICS

- SMD2835 LEDs Lifespan>60000H, 1CCT/2CCT Adjustable options

Construction

- Housing: Aluminum Housing, durable, excellent heat dissipation performance, Nano plastic optional.
- Lens: Polycarbonate Frosted / Clear lens, UL-94 V0 Feature.

Emergency Battery Options

- Optional 120-277V/347V integral emergency battery pack available in 8W or 15W

Integrated Controls

- Sensor: Microwave Sensor/PIR Sensor, Daylight/Daylight Harvest Options

Compliance

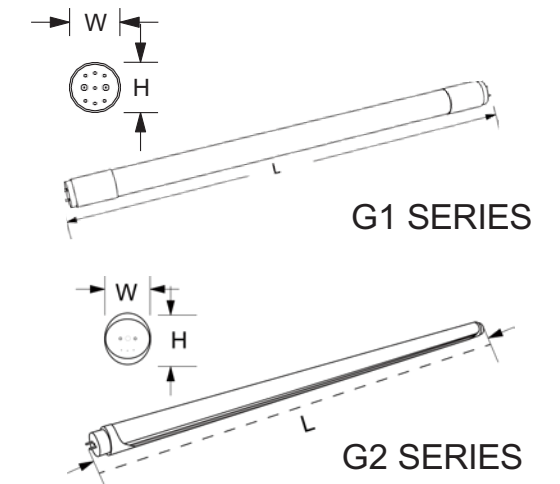
- ETL Listed, DLC Premium, FCC, RoHS

Warranty

- Five-year Limited Warranty.

Dimensions

Item	G1	G2
2FT	24" x 1.1" x 1.2"	24" x 1.1" x 1.2"
3FT	36" x 1.1" x 1.2"	36" x 1.1" x 1.2"
4FT	48" x 1.1" x 1.2"	48" x 1.1" x 1.2"
8FT	96" x 1.1" x 1.2"	96" x 1.1" x 1.2"



Technical Datasheet

Item	2FT Series	3FT Series	4FT Series	8FT Series
Rated Power	8W/10W/12W/16W/20W/ 24W/30W/32W/36W/40W/48W	10W/12W/18W/20W/24W/ 30W/36W/40W/48W/54W/72W	12W/15W/18W/24W/30W/36W/ 45W/48W/54W/60W/72W	36W/60W/72W
Luminous	Max.6240 lm	Max.9360 lm	Max.9360 lm	Max.9360 lm
Input Voltage	120-277V / 120-347V / 60Hz			
Efficacy	>130lm/W			
CCT	1CCT/2CCT Adjustable Options			
CRI	RA>80 R9>0			
Dimming	0-10V			
Beam Angle	140°			
Operate Temp	-4°F ~ 104°F			
Environment	Damp Location			
Life / Warranty	50000H / 5 Years			
Certificate	ETL / FCC / DLC / RoHS			