

PRODUCT FEATURES

- 6" Can suitable and 26watt CFL equivalent
- 80+ CRI
- High power factor>0.9 L 70 life 50 ,000 hours
- Rotatable I 80° (Horizontal model) Die casting Aluminum heat sink
- Operating Temperature -4°F to 105°F UL damp listed
- Not use for totally enclosed fixtures
- The unites are intended to retrofit Type IC or non-IC recessed mount listed luminaries 5 years limited warranty
- Universal G24q 4-pin base can retrofits G24q-1,G24q-2,G24q-3,GX24q-1,GX24q-2 and GX24q-3.

SAFETY FEATURE

Built-in Thermal Detector support lamp cut off the power from over driven of incompatible electrical ballast.

INSTRUCTION

Type A plug in LED PL retrofit lamps only work with electronic ballast and no need to bypass.

They will be replacement for CFL bulbs in variety existing lamp installation of commercial applications.



LED PL HORIZONTAL LAMP-TYPE A

ORDERING NUMBER LOGIC

Typical order example: 12 PL03HG24Q LED27

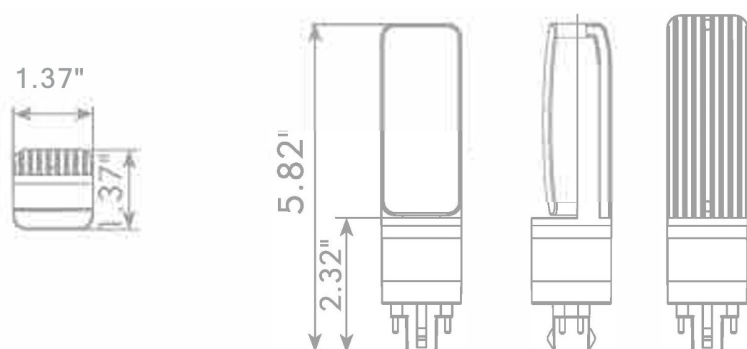
Model Number	Power (lamp only)	Lumen output	Base	Version	CCT	Voltage	Suitable Location	Beam Angle	Control
12 PL03HG24QLED27	12W Max	900 Lm	G24Q	Horiz.I	2700K	Driven by CFL Ballast	Dry and Damp	140°	Non-Dimming
12 PL03HG24QLED30		1000 Lm			3000K				
12 PL03HG24QLED35		1100 Lm			3500K				
12 PL03HG24QLED40		1100 Lm			4000K				
12 PL03HG24QLED50		1100 Lm			5000K				

Application Notes:

This instant fit is suitable for operation with ballasts from the following manufacturers: Triad/Universal Lighting Technologies/ Hatch Lighting/OSRAM Sylvania/Philips Advance/ Energy Savings
Please find specific ballast models as attached table.

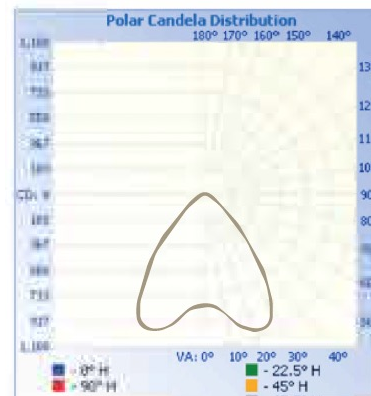
BASE OPTION

Unit: inch



LIGHTING DISTRIBUTION

Dual horizontal lamp



Fixture: Lithonia 6HF
2/18DTT MVOLT