



EV - U xxxW Dx Y Z

Basic Model **UFO High Bay** **Wattage**
 80W
 100W
 150W
 200W
 240W
 300W

Shell Shape
 D1
 D2
 D3

Dimming
 N=Non-dimmable
 D=Dimmable

Represent Commercial Use

SPECIFICATION FEATURES



Electrical

- UL wet location rated
- System rated for long 50000 hours life
- Optional Sensor
- Efficiently delivers up to 190±5% lm/W

List

- UL / cUL / FCC / DLC / IP65

Application

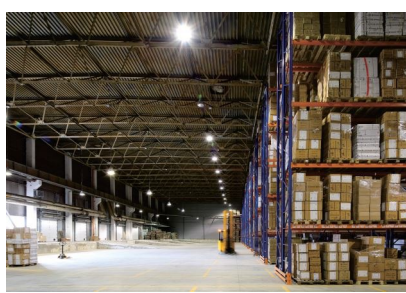
- Warehouse
- Airports
- Exhibition Centres
- Shopping Centres
- Supermarkets
- Stadiums
- Toll Stations
- Subways
- High ceiling applications.

Warranty

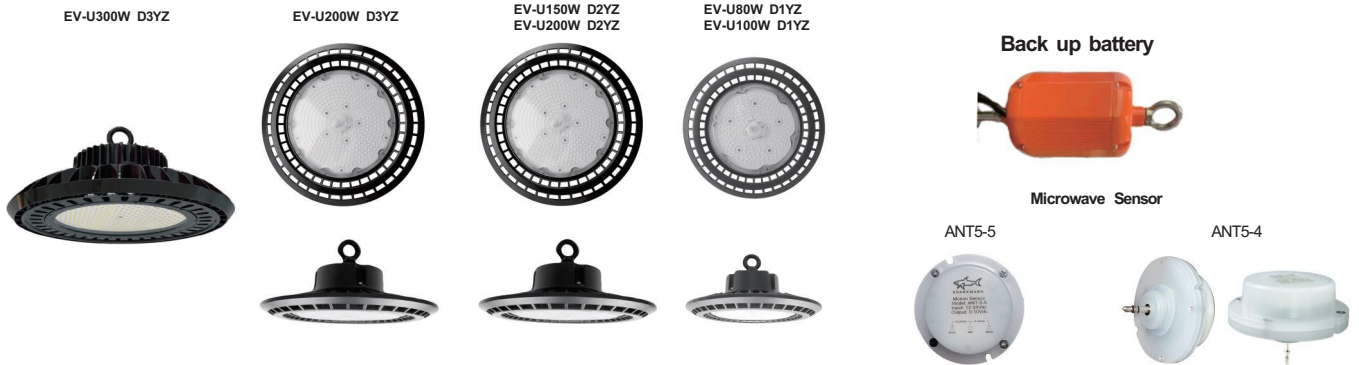
- Five year limited warranty against defects in manufacturing

Construction

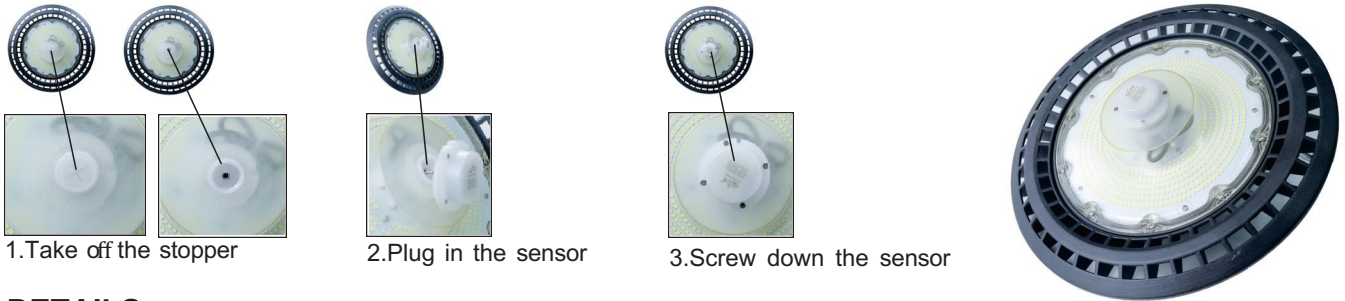
- Die-cast aluminum housing
- Durable dark bronze powdercoat
- Operating temperature: -40°C to +55°C



PICTURES OF REAL PRODUCTS



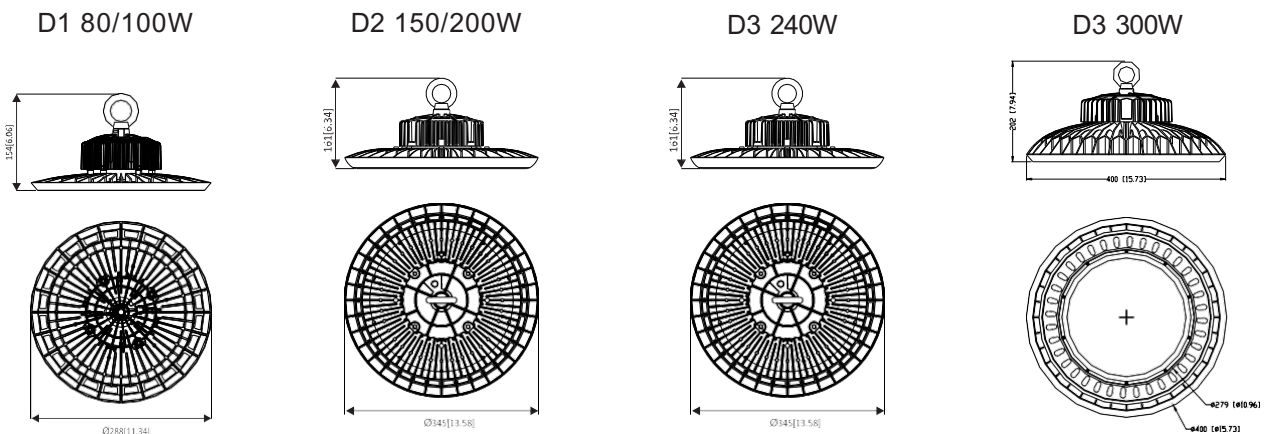
Sensor Embedded Luminaire Installation Guidance (ANT5-4)



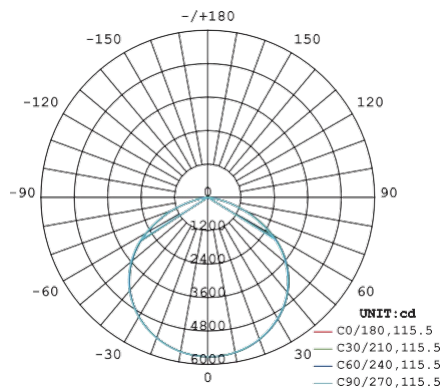
DETAILS

Model No	EV-U80W D1YZ	EV-U100W D1YZ	EV-U150W D2YZ	EV-U200W D2YZ	EV-U240W D3YZ	EV-U300W D3YZ
LED POWER (W)	80	100	150	200	240	300
Light efficiency one	130lm/W					
Light efficiency two	190lm/W					
Input Voltage	AC 100- AC 277V / AC 347V-480V					
Lumen(Lm) one	10400	13000	19500	26000	31200	39000
Lumen(Lm) two	15200	19000	28500	38000	45600	57000
CRI	> 70					
PF	> 0.9					
CCT	2200K / 2700K / 3000K / 4000K / 4500K / 5000K / 5500K / 6500K					
Beam Angel	120°					

DIMENSIONS & PACKAGE INFORMATION

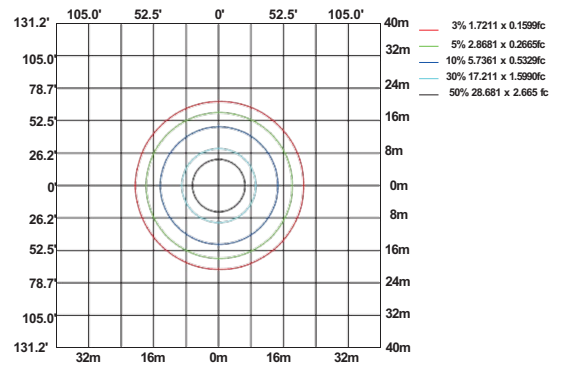


LUMINOUS INTENSITY DISTRIBUTION DIAGRAM ISOLUX DIAGRAM



AVERAGE BEAM ANGLE(50%):115.5 DEG

D2 150W

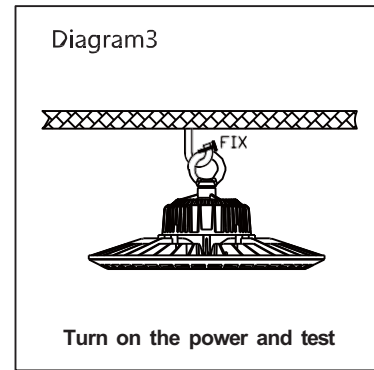
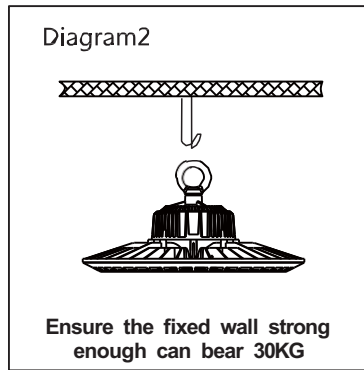
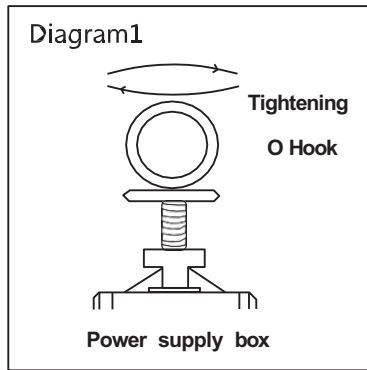


MOUNTING HEIGHT:33'(10m)

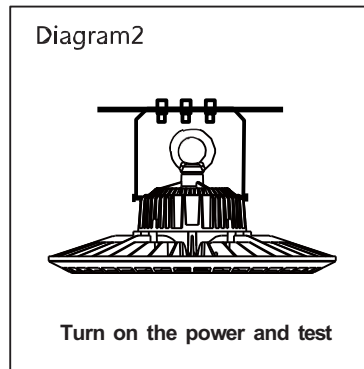
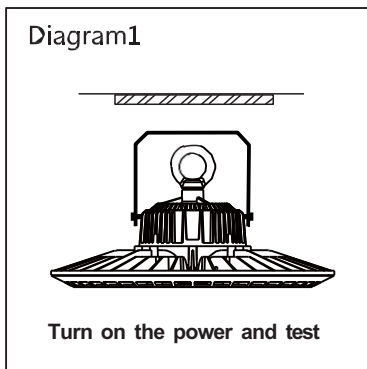
D2 150W

MOUNTING WAYS

Option1



Option2



THE PACKAGE INFORMATION

Model	Wattage(W)	One Carton Weight	Package(mm)	PC/Carton
D1	80/100	9KG	388*363*320	2
D2	150/200	10.4KG	388*363*340	2
D3	240/300	13KG	480*480*200	1

