

# INFINITY LED SPORTS LIGHT

## FL-07-G9

### BETTER SOLUTIONS FOR INFINITY LED SPORTS LIGHT



IP66 water-proof  
Easy Installation



AC100-277V 50/60Hz  
130Lm/W 150Lm/W

Operating Temp: -40°C~+50°C Storage Temp: -40°C~+80°C

### OPTIONS

| POWER                  | CCT   | Housing Color | Beam Angle |
|------------------------|-------|---------------|------------|
| Inventronics<br>driver | 3000K | black + red   | 15°        |
|                        | 4000K | black + blue  | 30°        |
|                        | 5000K | black + green | 45°        |
|                        | 5700K | black + black | 80°        |
|                        |       | grey + grey   | 80°        |

### APPLICATIONS

Sports Lighting, Stadium lighting, Sports fields, Car parks, High mast installations Docks, Railway and container yards, Ports and other large scale outdoor applications, Architectural lighting, Landscape lighting, Industrial and commercial exterior lighting Decorative lighting for holidays, tradeshow, exhibitions.

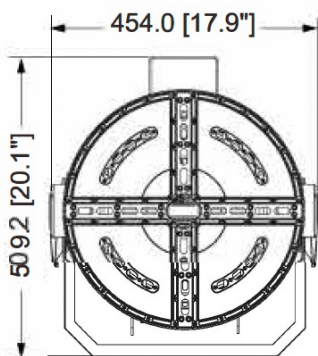


# INFINITY LED SPORTS LIGHT

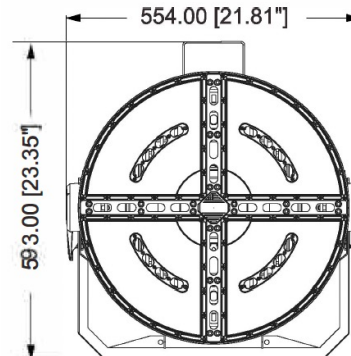
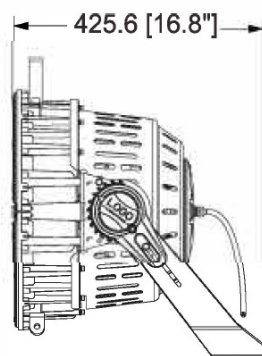
## FL-07-G9 SPECIFICATIONS

| Item           | Power | Luminous Efficacy | LEDS                  | CRI | Weight           | Beam Angle       |
|----------------|-------|-------------------|-----------------------|-----|------------------|------------------|
| FL300W-07-G9   | 300W  | 130Lm/W 150Lm/W   | Samsung 3535 SMD 5050 | >70 | 17.2kg(37.9lbs)  | 15° 30° /45°/80° |
| FL400W-07-G9   | 400W  | 130Lm/W 150Lm/W   | Samsung 3535 SMD 5051 | >70 | 17.2kg(37.9lbs)  | 15° 30° /45°/80° |
| FL500W-07-G9   | 500W  | 130Lm/W 150Lm/W   | Samsung 3535 SMD 5052 | >70 | 17.2kg(37.9lbs)  | 15° 30° /45°/80° |
| FL600W-07-G9   | 600W  | 130Lm/W 150Lm/W   | Samsung 3535 SMD 5053 | >70 | 18.2kg(40.1 lbs) | 15° 30° /45°/80° |
| FL700W-07-G9   | 700W  | 130Lm/W 150Lm/W   | Samsung 3535 SMD 5054 | >70 | 28.7kg (63.3lbs) | 15° 30° /45°/80° |
| FL800W-07-G9   | 800W  | 130Lm/W 150Lm/W   | Samsung 3535 SMD 5055 | >70 | 28.7kg(63.3lbs)  | 15° 30° /45°/80° |
| FL 1000W-07-G9 | 1000W | 130Lm/W 150Lm/W   | Samsung 3535 SMD 5056 | >70 | 28.7kg(63.3lbs)  | 15° 30° /45°/80° |
| FL 1200W-07-G9 | 1200W | 130Lm/W 150Lm/W   | Samsung 3535 SMD 5057 | >70 | 28.7kg(63.3lbs)  | 15° 30° /45°/80° |

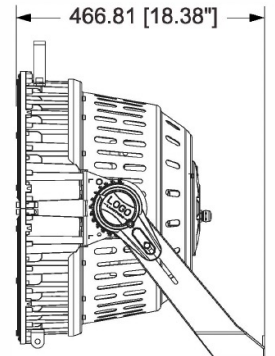
## DIMENSIONS(MM)



**300W/400W/500W/600W-P1A**

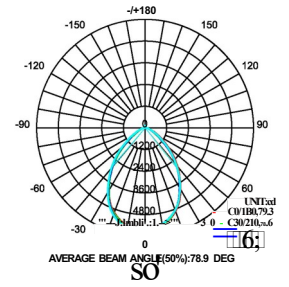
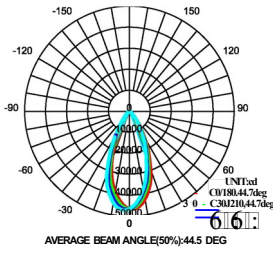
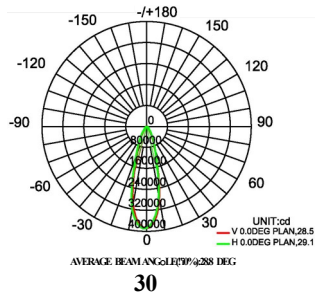
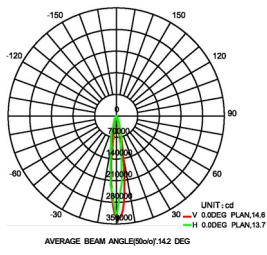


**700W/800W/1000W/1200W-P1A**



# INFINITY LED SPORTS LIGHT

## FL-07-G9 PHOTOMETRY



## MODEL OPTIONS



P1 A-Bracket+ Driver cover mounted on the lamp body



P1 B-Bracket+ Separate remote installation



P1 C-Bracket+ Driver box mounted on the lamp body



P1 D-Bracket+ Driver box mounted on the bracket



P2A-Base+ Driver box mounted on the lamp body



P2B -Base+ Separate remote installation



P2C-Base+ Driver box mounted on the bracket



P3A-Slip fitter+ Driver box mounted on the lamp body



P3B -Slip fitter+ Separate remote installation



P4A-Bracket+ Driver cover mounted on the lamp body



P4B -Bracket+ Separate remote installation



P4C -Bracket+ Driver box mounted on the lamp body



P4D -Bracket+ Driver box mounted on the bracket



# INFINITY LED SPORTS LIGHT

## FL-07-G9

|                |  |   |   |
|----------------|--|---|---|
| <b>Remarks</b> | <p>Brown/Black -- L<br/>Blue/White --- N<br/>G/Y ----- GND</p> |   |   |
|                |  | <p><b>Caution</b> :Vertical installation is absolutely not permitted.</p> | <p><b>Caution</b> :When the angle of the luminous surface exceeds 90°,the lamp power is reduced by 20%.</p> |

## P1A/P1B/P1C/P1D Bracket

| <p>01</p> <table border="1"> <tr> <th>Wattage</th> <th>d1</th> <th>d2</th> <th>d3</th> </tr> <tr> <td>600W</td> <td>220mm</td> <td>25mm</td> <td>50mm</td> </tr> <tr> <td>1200W</td> <td>280mm</td> <td>40mm</td> <td>60mm</td> </tr> </table> | Wattage | d1                                       | d2   | d3 | 600W | 220mm | 25mm | 50mm | 1200W | 280mm | 40mm | 60mm | <p>02</p> <p>M16 (Optional)</p> | <p>02-a Only P1D/P4D</p> <p>M8×25 2PCS(standard)</p> | <p>02-b Only P1D/P4D</p> <p>Male Plug<br/>Female Plug</p> | <p>03</p> <p>Loosen the M6 hexagon socket screws to adjust beam angle</p> |
|--|---------|--|--|----|------|-------|------|------|-------|-------|------|------|---------------------------------|--|---|---|
| Wattage  | d1      | d2                                       | d3   |    |      |       |      |      |       |       |      |      |                                 |  |   |   |
| 600W   | 220mm   | 25mm                                     | 50mm   |    |      |       |      |      |       |       |      |      |                                 |  |   |   |
| 1200W  | 280mm   | 40mm                                     | 60mm   |    |      |       |      |      |       |       |      |      |                                 |  |   |   |
|  |         | <p>04</p> <p>Double protection chain</p> | <p>05</p> <p>Driver AC cable<br/>Waterproof connector<br/>Electric supply AC power</p> |    |      |       |      |      |       |       |      |      |                                 |  |   |   |

FOR MORE INFORMATION, PLEASE CONTACT SALES.

## PACKING SPEC

| Item  | Measurement(mm)   | Box                                  |         | Carton          |              |         |
|---|---|--------------------------------------|---------|-----------------|--------------|---------|
|   |   | Gross weight                         | Pcs/box | Measurement(mm) | Gross weight | Pcs/box |
| FL300W/400W/500W/600W-07-G9-P1A/P4A                             | 635L*525W*395H  | 21.8kg (48.1lbs)                     | 1       | /               | /            | /       |
| FL300W/400W/500W/600W-07-G9<br>-P1B/P1C/P2A/P2B/P3A/P3B/P4B/P4C | 635L*525W*320H  | 16.0kg (35.3lbs)                     | 1       | /               | /            | /       |
| FL700W/800W/1000W-07-G9<br>-P1A/P1C/P2A/P3A/P4A/P4C             | 745L*615W*460H  | 32.4kg (71.4lbs)                     | 1       | /               | /            | /       |
| FL700W/800W/1000W-07-G9<br>-P1B/P2B/P3B/P4B                     | 745L*615W*340H  | 23.5kg (51.8lbs)                     | 1       | /               | /            | /       |
| FL700W/800W/1000W-07-G9<br>-P1D/P2C/P4D                         | Lamp:<br>745L*615W*340H<br>GS Driver box:<br>500L*410W*260H | 23.5kg (51.8lbs)<br>12.5kg (27.6lbs) | 1<br>1  | /<br>/          | /<br>/       | /<br>/  |